






Abloy | UK

Abloy | UK
 Abloy House
 Hatters Lane
 Croxley Green Business Park
 Watford, Hertfordshire
 WD18 8QY

Phone 01923 255066
 Fax 01923 230281
 Email sales@abloy.co.uk
www.abloy.co.uk

LET ABLOY UK HELP	1: ONLINE	2: ON THE PHONE	3: ON SITE	4: PLANNING	5: IMPLEMENTATION
<p>Abloy UK are always on hand with courteous and expert help, right from supply and support of our products to planning and implementation of major projects.</p>	 www.abloy.co.uk Our state of the art, customer focused website. Just click for product information, technical data, downloads and more	 01923 255066 Courteous and knowledgeable telephone assistance, whether for sales, consultancy or technical matters	 01923 255066 Friendly on site consultancy for larger projects	 01923 255066 Experienced assessment and planning of your project	 01923 255066 Implementation of your installation through our national network of Centres, selected by us for specific product and technical disciplines

Due to a continuous programme of development, Abloy | UK reserves the right to make alterations without notice. For technical reasons connected with colour reproduction the colours shown may vary slightly from those of the product. All dimensions provided within this catalogue are approximate and for guidance only.

E. & O. E. For terms and conditions of sale, please refer to the current price list.

Abloy | UK markets high quality products and accessories for security applications. Our customer base provides solutions to a broad spectrum of public and private organisations throughout the UK and Ireland.



ISO9001:2000
 Certificate number FS504352

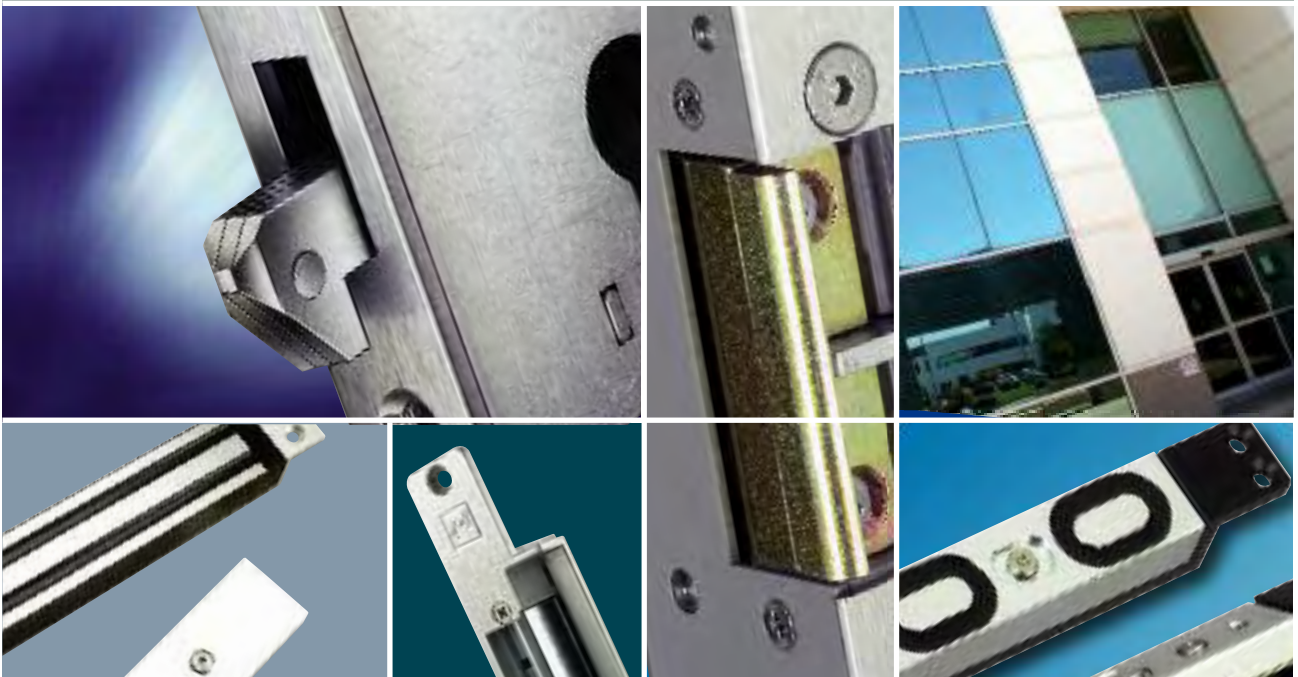


The ASSA ABLOY Group is the world's leading manufacturer and supplier of locking solutions, dedicated to satisfying end-user needs for security, safety and convenience.

ELECTRIC STRIKES AND ELECTRO MAGNETS

Better design. Better engineering. Better materials. That's the simple formula that makes Abloy | UK strikes and magnets the optimum choice for access control systems.

VERSION 1.0



Abloy | UK



Introduction. Especially effective when used as part of an access control system, Abloy | UK provide a range of effeff electro magnetic locks and electric strikes with superior holding force and robust durability.



Where access control systems need to lock and unlock doors simply, or a fail unlocked device is paramount, then an electro-magnet provides the solution.

Suitable for internal access doors, Abloy | UK offers a carefully chosen selection of effeff electro-magnets to cater for most door types and situations.

CE Products comply with European legislation regarding Safety and Electro Magnetic Capability (EMC).

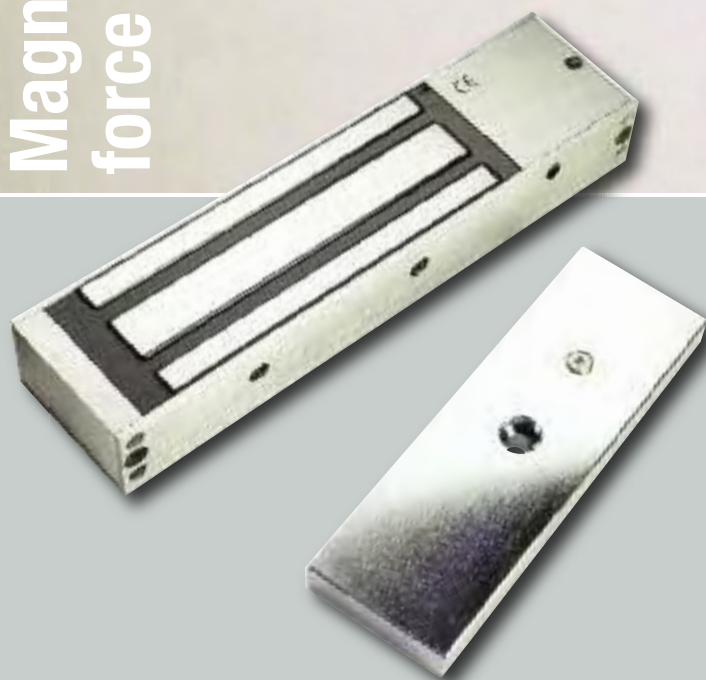
The world renowned effeff electric strike range provides the very best in high security strike technology for use with access control systems of all kinds – and with a wide range there is almost certainly an effeff strike for any project.

Unsurpassed holding force, superior build quality and resistance to attack make effeff strikes the natural choice for internal and external doors.

Strike force



Magnetic force



- ▲ HIGH HOLDING FORCE UP TO 15,000 N
- ▲ SUPERIOR BUILD QUALITY
- ▲ SIMPLE INSTALLATION
- ▲ INTERNAL AND EXTERNAL DOORS
- ▲ SPECIALIST DOOR TYPES, I.E. SLIDING, GLASS AND PVCU
- ▲ VERSIONS FOR ESCAPE ROUTES

- ▲ EXCELLENT HOLDING STRENGTH UP TO 12,000N
- ▲ HIGH QUALITY FINISH
- ▲ SOLUTION FOR MOST TYPES OF DOOR
- ▲ EASY TO INSTALL
- ▲ LOW SECURITY ACCESS CONTROL APPLICATIONS
- ▲ INTERNAL ACCESS DOORS
- ▲ FINAL EXIT DOORS

14 Series

Fail locked

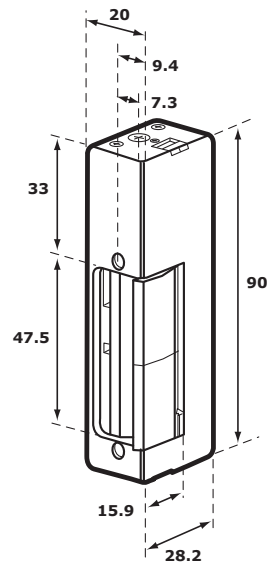
34 Series

Fail unlocked

Features

- A universal strike in a solid design
- Suitable for all commonly used striking plates
- Can be mounted DIN right or left by turning 180°
- Monitoring is optional, fail locked or fail unlocked

SECURITY RATING: MEDIUM

**ISC**Rim housing
Rim inward opening**ISCO**Rim housing
Rim outward opening

The solution for installation situations where technical difficulties or legal regulations prevent flush mounting of electric strikes.

These are suitable for use with 14, 17, 34 and 37 Series strikes.

14 SERIES FEATURES	FAIL LOCKED	FAIL UNLOCKED	MONITORING	8-16V AC/DC	12V DC	24V DC
GREY FINISH						
14----26302R11	•			•		
14----26302E31	•				•	
14----26302F31	•					•
14RR--26302R11	•		•	•		
14RR--26302E31	•		•		•	
14RR--26302F31	•		•			•

34 SERIES FEATURES	FAIL LOCKED	FAIL UNLOCKED	MONITORING	8-16V AC/DC	12V DC	24V DC
GREY FINISH						
34----26302E91	•				•	
34----26302F91	•					•
34RR--26302E91	•	•			•	
34RR--26302F91	•	•				•
14/34 TECHNICAL DATA						
Standard break-in resistance	6,500N					
Material 1						
Standard housing	Die cast zinc					
Keep	Steel					
Material 2						
Housing	Die cast zinc					
Keep	Die cast zinc/brass					
Operating temperature range	-15° to +40°C					
Handing reversible	Yes					

17 Series

Fail locked

37 Series

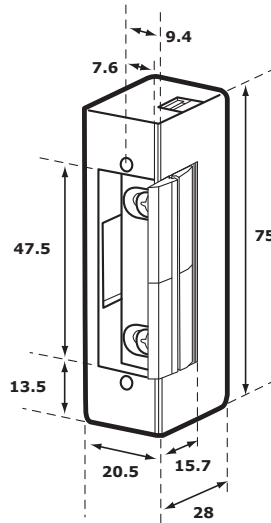
Fail unlocked

Features

A universal strike standard with Fafix (FF) with 6mm striking plate for PVCU doors



SECURITY RATING: **NORMAL**



17 SERIES FEATURES	FAIL LOCKED	FAIL UNLOCKED	MONITORING	8-16V AC/DC	12V DC	24V DC	HANDING
17----35440R14	•			•			L
17----35440R15	•			•			R
17----35440E44	•				•		L
17----35440E45	•				•		R
17RR--35440R14	•		•	•			L
17RR--35440R15	•		•	•			R
17RR--35440E44	•		•		•		L
17RR--35440E45	•		•		•		R

37 SERIES FEATURES	FAIL LOCKED	FAIL UNLOCKED	MONITORING	8-16V AC/DC	12V DC	24V DC	HANDING
37----35440E94	•				•		L
37----35440E95	•				•		R
37RR--35440E94	•	•			•		L
37RR--35440E95	•	•			•		R

17/37 TECHNICAL DATA	
Standard break-in resistance	3,500N
Material	Die-cast zinc
Standard housing	Die-cast zinc
Keep	Die-cast zinc
Surface-M attachment Fafix	Brass
Operating temperature range	-15° to +40°C
Handing	Left or right, to be specified
Finish	Zinc

131 Series

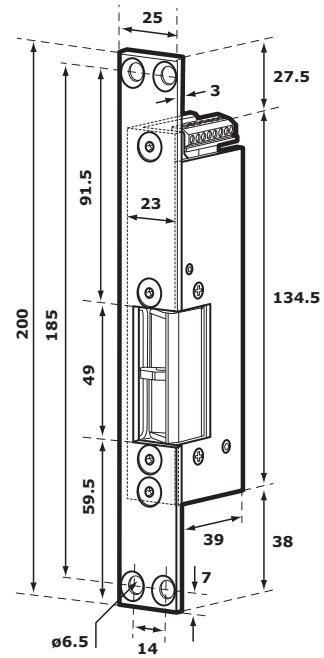
Fail locked

331 Series

Fail unlocked

Features

- Fail unlocked model designed for locking doors in escape routes
- Reliable unlocking under pre side load, max 5,000N



SECURITY RATING: HIGH

131 SERIES FEATURES	FAIL LOCKED	FAIL UNLOCKED	MONITORING	8-16V AC/DC	12V DC	24V DC	HANDING
GREY FINISH							
131----11602E34	•				•		L
131----11602E35	•				•		R
131----11602F34	•					•	L
131----11602F35	•					•	R
131RR--11602E34	•	•			•		L
131RR--11602E35	•	•			•		R
131RR--11602F34	•	•				•	L
131RR--11602F35	•	•				•	R

331 SERIES FEATURES	FAIL LOCKED	FAIL UNLOCKED	MONITORING	8-16V AC/DC	12V DC	24V DC	HANDING
331U---11602E94	•				•		L
331U---11602E95	•				•		R
331U---11602F94	•					•	L
331U---11602F95	•					•	R
331UR--11602E94	•	•			•		L
331UR--11602E95	•	•			•		R
331UR--11602F94	•	•				•	L
331UR--11602F95	•	•				•	R

TECHNICAL DATA	131 SERIES	331 SERIES
Standard break-in resistance	15,000N	7,500N
Fafix break-in resistance	10,000N	N/A
Operating temperature range	-15° to +40°C	-15° to +40°C
Release under side load pressure	1,000N	5,000N
Handing	Left or right to be specified	Left or right to be specified
Finish	Grey	Grey

76 Series

- 76-17 Fail locked
- 76-37 Fail unlocked
- Select short or long plate

Features

76-17 and 76-37

- Designed with adjustable keeper for simplified installation
- Fail locked and unlocked versions

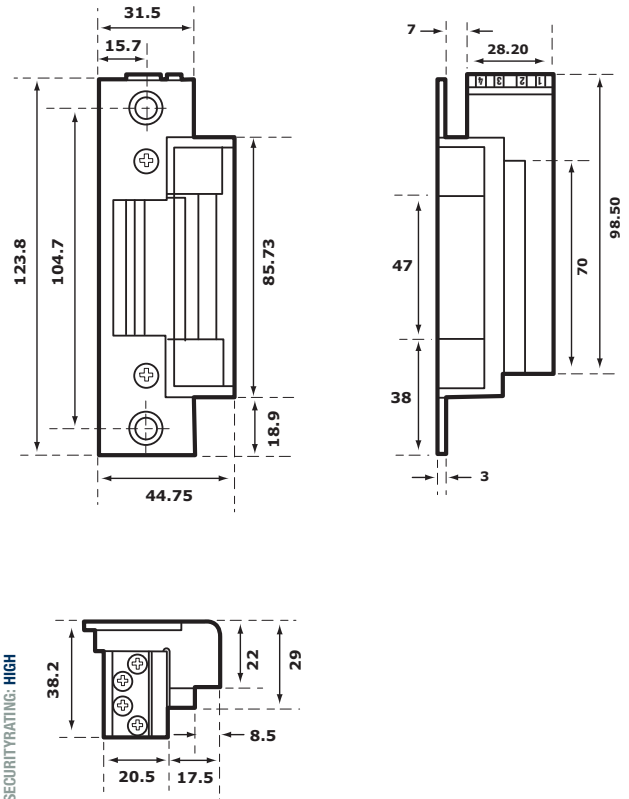
76-54U Penta

- Fail locked/unlocked
- Select short or long plate

Features

76-54U Penta models

- Optional latch monitoring
- Field selectable, fail locked/fail unlocked
- Dual voltage 12-24V AC/DC
- Fully reversible
- Factory tested to meet UL1034 for burglary resistance Grade 3



PENTA SECURITY RATING: HIGH
76 SERIES SECURITY RATING: HIGH

76 SERIES FEATURES	FAIL LOCKED	FAIL UNLOCKED	MONITORING	8-16V AC/DC	12V DC	24V DC	STRIKE PLATE
76-54U--88035Q41	•	•			•	•	Long
76-54U--87735Q41	•	•			•	•	Short
76-17---88035E41	•				•		Long
76-17---88035F41	•					•	Long
76-17---87735E41	•				•		Short
76-17---87735F41	•					•	Short
76-37---88035E91		•			•		Long
76-37---88035F91		•				•	Long
76-37---87735E91		•			•		Short
76-37---87735F91		•				•	Short

TECHNICAL DATA	HIGH SECURITY MULTIFUNCTION RELEASES
Standard break-in resistance	6,500N
Material 1	
Standard housing	Die-cast zinc
Keep	Steel
Material 2	
Housing	Die-cast zinc
Keep	Die-cast brass/brass
Operating temperature range	-15° to +40°C
Handing	Reversible
Finish	Stainless steel

15 Series

Fail locked

35 Series

Fail unlocked

Features

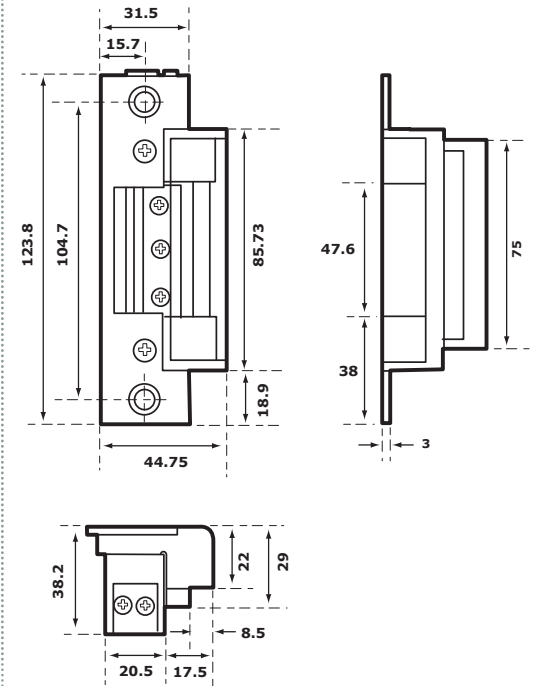
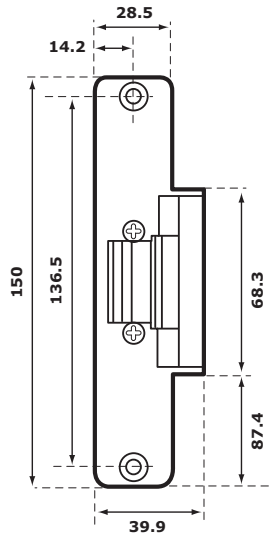
Fully reversible for right or left hand doors

75 Series

Fail locked or unlocked

Features

- Fully reversible for right or left hand doors
- Adjustable keeper
- Metal, wood or aluminium doors



15 SERIES FEATURES	FAIL LOCKED	FAIL UNLOCKED	MONITORING	8-16V AC/DC	12V DC	24V DC
--------------------	-------------	---------------	------------	-------------	--------	--------

15AV---37829R11	•			•		
15AV---37829E31	•				•	
15AV---37829F31	•					•

35 SERIES FEATURES	FAIL LOCKED	FAIL UNLOCKED	MONITORING	8-16V AC/DC	12V DC	24V DC
--------------------	-------------	---------------	------------	-------------	--------	--------

35AV---37829E91	•				•	
35AV---37829F91	•					•

15/35 SERIES TECHNICAL DATA	
Standard break-in resistance	6,000N
Material	Die-cast zinc
Housing keep standard	Die-cast zinc
Operating temperature range	-15° to +40°C
Finish	Grey

75 SERIES FEATURES	FAIL LOCKED	FAIL UNLOCKED	MONITORING	8-16V AC/DC	12V DC	24V DC	STRIKE PLATE
--------------------	-------------	---------------	------------	-------------	--------	--------	--------------

75-17--87935R11	•			•			long
75-17--87735R11	•			•			short
75-17--87935E41	•				•		long
75-17--87735E41	•				•		short
75-17-87935F41	•					•	long
75-17--87735F41	•					•	short
75-17RR87735E41	•	•			•		short
75-17RR87735F41	•	•			•		short
75-17RR87935E41	•	•			•		long
75-17RR87935F41	•	•			•		long
75-37--87935E91		•			•		long
75-37--87735E91		•			•		short
75-37--87735F91		•				•	short
75-37--87935F91		•				•	long
75-37RR87735E91	•	•			•		short
75-37RR87735F91	•	•				•	short
75-37RR87935E91	•	•			•		long
75-37RR87735F91	•	•				•	short
75-37RR87935F91	•	•			•		long

112 Series

Fail locked

312 Series

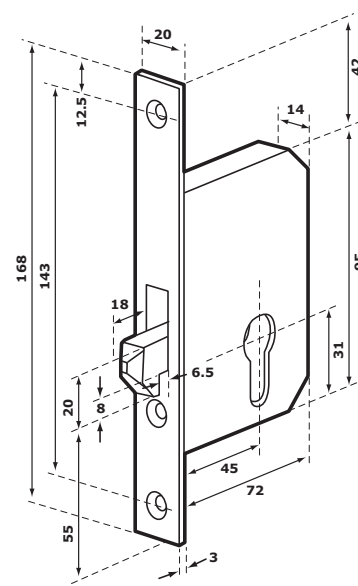
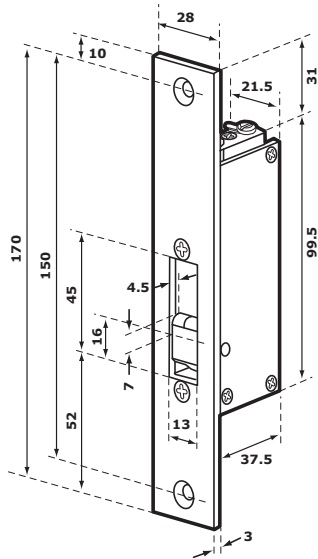
Fail unlocked

Features

- Sliding door strike and the hook bolt are designed to be used together
- Sliding door strikes are water resistant, making them suitable for use in outdoor application
- Galvanised face plates

1112

Hook Bolt



112 SERIES FEATURES	FAIL LOCKED	FAIL UNLOCKED	MONITORING	8-16V AC/DC	12V DC	24V DC
---------------------	-------------	---------------	------------	-------------	--------	--------

112---11440E31 • •

112---11440F31 • •

312 SERIES FEATURES	FAIL LOCKED	FAIL UNLOCKED	MONITORING	8-16V AC/DC	12V DC	24V DC
---------------------	-------------	---------------	------------	-------------	--------	--------

312---11440E91 • •

312---11440F91 • •

SLIDING DOOR STRIKES TECHNICAL DATA

Standard break-in resistance	3,000N
Material	Die-cast zinc / brass
Housing keep standard	Die-cast zinc / brass
Operating temperature range	-15° to +40°C
Compatible lockcase	1112
Finish	Zinc

914U Series

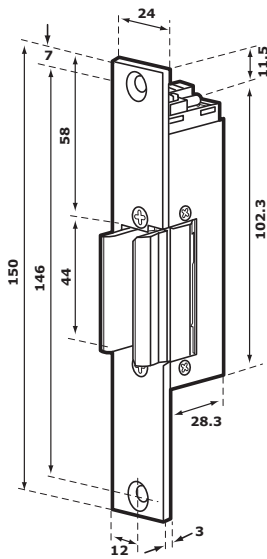
Fail locked

934U Series

Fail unlocked

Features

- For tempered glass doors with wooden, aluminium or metal frames
- No preparation required to the glass
- Dual voltage 12-24V DC
- Fully reversible
- Thickness adjustable 9-12mm (13-15mm available to special order)



9314 Series

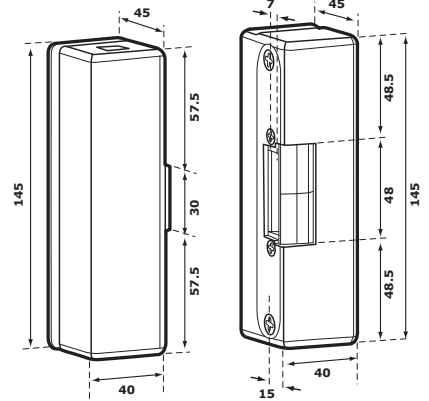
Fail locked

9334 Series

Fail unlocked

Features

- No preparation required to the glass
- Fully reversible
- Also available in 9mm and 10mm thickness



914 SERIES FEATURES	FAIL LOCKED	FAIL UNLOCKED	MONITORING	8-16V AC/DC	12V DC	24V DC
914U---40335Q31	•				•	•
914UR--40335Q31	•		•		•	•

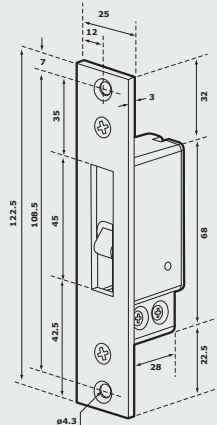
934 SERIES FEATURES	FAIL LOCKED	FAIL UNLOCKED	MONITORING	8-16V AC/DC	12V DC	24V DC
934U---40335Q91		•			•	•
934UR--40335Q91		•	•		•	•

9314 SERIES FEATURES	FAIL LOCKED	FAIL UNLOCKED	MONITORING	8-16V AC/DC	12V DC	24V DC	THICKNESS (MM)
9314VGL12---R11	•			•			12
9314VGL12---E31	•				•		12
9314VGL12---F31	•					•	12

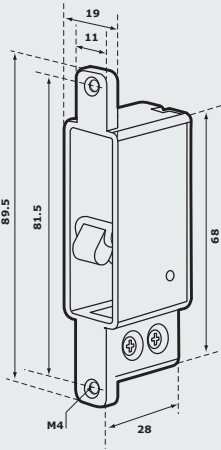
9334 SERIES FEATURES	FAIL LOCKED	FAIL UNLOCKED	MONITORING	8-16V AC/DC	12V DC	24V DC	THICKNESS (MM)
9334VGL12---E91		•			•		12
9334VGL12---F91		•				•	12

GLASS DOOR STRIKES TECHNICAL DATA	
Standard break-in resistance	3,700N
Material	
Standard housing	Die-cast zinc
Keep	Nickel-plated brass
Operating temperature range	-15° to +40°C
Finish	Aluminium

875-10-12240-01
Dead bolt switch contact
with KL face plate



875-----00
Dead bolt switch contact
without a face plate



LOCKCASE COMPATIBILITY	75 SERIES	76 SERIES	14/34 SERIES	17/37 SERIES	15/35 SERIES	131/331 SERIES
------------------------	-----------	-----------	--------------	--------------	--------------	----------------

Lockcase

Adams Rite (mortice)
4710, 4720, 4750

• •

Assa (mortice)
3059, 3061, 3062, 8516,
8517, 8518, 8519, 8760,
8761, 8762, 8764

• •

Chubb (mortice)
3R35

• •

Union (mortice)
2332

• • • •

ABLOY 4197 Series

• • • •

FIX AND FAFIX

Fix: Adjustable and fixable strikes

The ideal way to simplify mounting the strike. The screw holes in the striking plate are milled to an oval. After mounting, the strike housing can be moved horizontally by up to 4mm within this range, aligned to the latch bolt and fixed using the provided fixing grooves. Correction and reliable installation is possible, even where mounting conditions are most difficult.



Fafix: Strikes with adjustable and fixable keep

The ideal way to simplify keep adjustment. Simple installation, uncomplicated adjustment of the keep to the latchbolt after mounting. Compensation for expansion is possible using this method by readjusting the strike at any time. The adjustment facility also allows subsequent adjustment to the latch bolt, even where space is at a premium.



MAKE SURE YOU ORDER THE PRODUCT YOU NEED

This is how effeff coding works:

Every code must add up to 15 digits, for example 17RR---02135E41, which is broken down as below. When specifying your part number, please remember all the dashes within the code must be included.

17	RR---	021	35	E4	1
▲ THE MODEL SERIES NO	▲ DESIGN	▲ STRIKING PLATE	▲ FINISH	▲ VOLTAGE	▲ HAND
	RR = monitoring contact	106 = short flat plate	35 = stainless steel	E (followed by any digit) = 12V DC	1 = universal
	FF = Fafix		40 = zinc	F (followed by any digit) = 24V DC	5 = right hand
	05 = with recovery diode		02 = grey	R1 = 8-16V AC / DC	4 = left hand
			44 = Aluminium		

SLM300-S

Mini magnet with monitoring
Dual voltage 12/24V DC



Features

Attractive compact design
For use on internal access doors

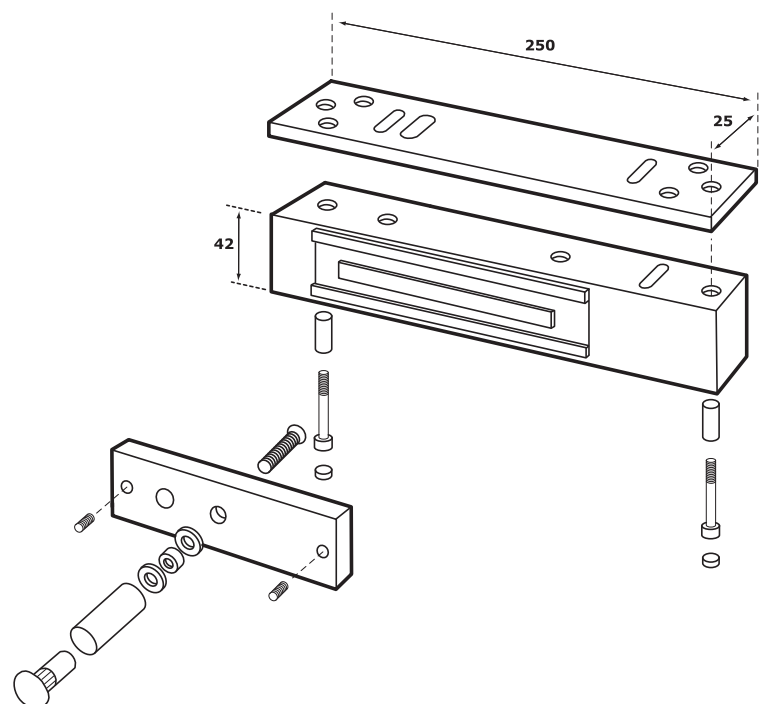
Brackets available

MAG300-L

Angled bracket

MAG300-Z&L

Z and L brackets for inward and outward opening doors



TECHNICAL DATA

Integral door status monitoring by hall sensor

Current consumption 500mA at 12V DC
250mA at 24V DC

Holding force >3,000N

Material Aluminium

SMM500-S

Single magnet with
monitoring

Dual voltage 12/24V DC

Features

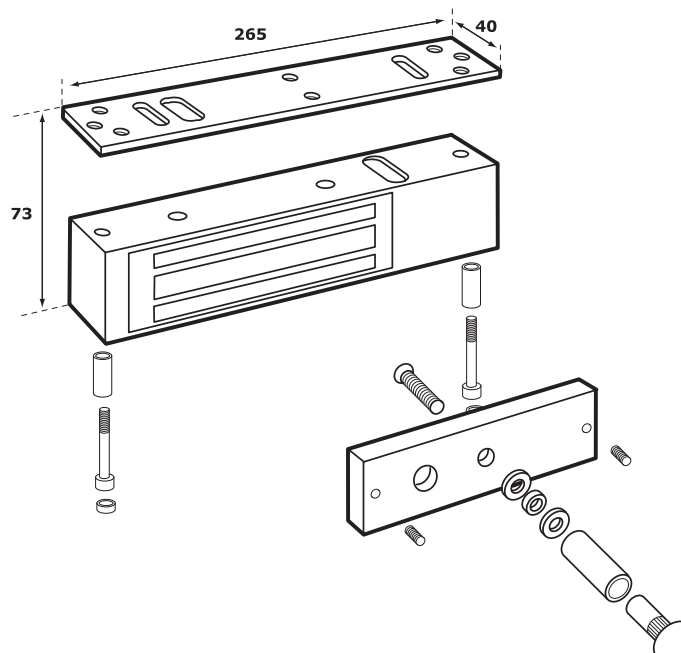
- Suitable for internal access doors
- Easy to fit

Brackets available**MAG500-L**

Angled bracket

MAG500-Z&L

Z and L brackets for inward and
outward opening doors

**TECHNICAL DATA****Integral door status
monitoring by hall sensor**

Current consumption 500mA at 12V DC
250mA at 24V DC

Holding force >5,000N

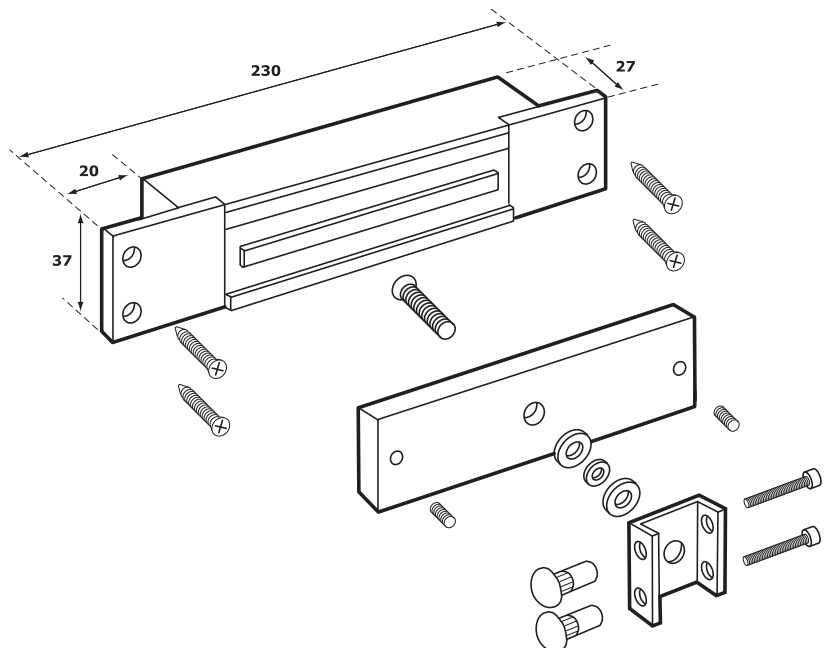
Material Aluminium

MLM300-S

Single mortice magnet with monitoring
Dual voltage 12/24V DC

Features

- Suitable for sliding doors, or where the door stop is deeper than 45mm
- For face to face installation



TECHNICAL DATA

Integral door status monitoring by hall sensor

Current consumption 500mA at 12V DC
250mA at 24V DC

Holding force >3,000N

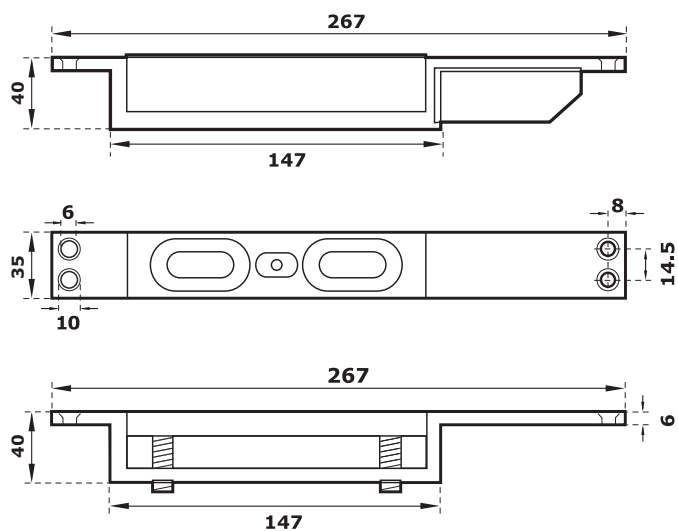
Material Aluminium

MSM15000

Maxi shear magnet
with hall sensor.
Dual voltage 12-28V DC

Features

- Suitable for fitting in the door frame or leaf
- Time delay setting 2 to 6 secs
- Positive locking function ensures correct alignment maintaining the holding force
- Housing available:
MAG15000-H

**TECHNICAL DATA****Integral door status monitoring by hall sensor**

Current consumption 1800mA at 12V DC holding
500mA at 24V DC holding

Holding force >12,000N

Material Aluminium