






Abloy | UK

Abloy | UK
 Abloy House
 Hatters Lane
 Croxley Green Business Park
 Watford, Hertfordshire
 WD18 8QY

Phone 01923 255066
 Fax 01923 230281
 Email sales@abloy.co.uk
www.abloy.co.uk

LET ABLOY UK HELP	1: ONLINE	2: ON THE PHONE	3: ON SITE	4: PLANNING	5: IMPLEMENTATION
<p>Abloy UK are always on hand with courteous and expert help, right from supply and support of our products to planning and implementation of major projects.</p>	 www.abloy.co.uk Our state of the art, customer focused website. Just click for product information, technical data, downloads and more	 01923 255066 Courteous and knowledgeable telephone assistance, whether for sales, consultancy or technical matters	 01923 255066 Friendly on site consultancy for larger projects	 01923 255066 Experienced assessment and planning of your project	 01923 255066 Implementation of your installation through our national network of Centres, selected by us for specific product and technical disciplines

Due to a continuous programme of development, Abloy | UK reserves the right to make alterations without notice. For technical reasons connected with colour reproduction the colours shown may vary slightly from those of the product. All dimensions provided within this catalogue are approximate and for guidance only.

E. & O. E. For terms and conditions of sale, please refer to the current price list.

Abloy | UK markets high quality products and accessories for security applications. Our customer base provides solutions to a broad spectrum of public and private organisations throughout the UK and Ireland.



ISO9001:2000
 Certificate number FS504352

ABLOY® DOOR CYLINDERS

Inspired technology, unbeatable performance. Flexibility and security combine in ABLOY's comprehensive range of sleek and effective door cylinders.

CATALOGUE 1 > VERSION 1.0

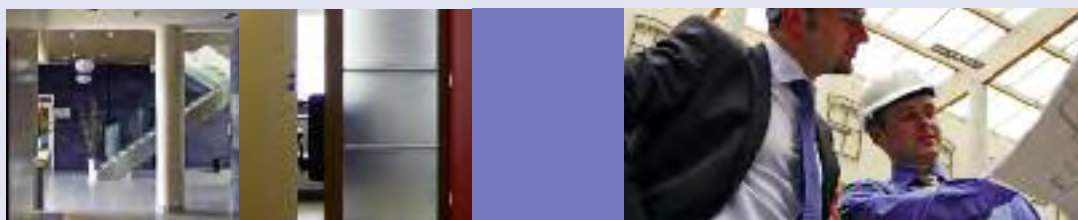




- ▼ SELECTED CYLINDERS MEET EN 1303
- ▼ PATENTED LOCK SYSTEMS
- ▼ VARYING SECURITY LEVELS
- ▼ WIDE RANGE OF CYLINDER TYPES TO SUIT MANY LOCKCASES
- ▼ MASTER KEY SYSTEMS
- ▼ PERFECT FOR RETROFIT
- ▼ TOUGH AND DURABLE CONSTRUCTION

**Exposed site, abused, heavy use...
still working perfectly.**





Introduction. Whether you want to install a brand new locking system or integrate new components within an existing system, ABLOY door cylinders provide a stylish and functional solution.

Available in a wide range of types, including Euro Profile, UK Oval, Scandinavian Oval and Finnish Round, each door cylinder is built using ABLOY's cutting edge technology and is suitable for use in a variety of settings, from rim and mortice to electric lockcases, or even as retrofit in existing lockcases.

ABLOY PROTEC's two-way operation makes it suitable for use with existing lockcases, and the ABLOY EXEC cylinder has a one-way operation that can only be used with ABLOY lockcases.

All ABLOY door cylinders can be adapted for varying security levels and are suitable for use within a master key hierarchy, as well as being keyed alike or supplied with individual keys.

No matter what the application, we can offer a range of door cylinders to suit your needs, with selected cylinders meeting EN1303 standards.

Product Statement

All Abloy cylinders use a rotating disc principle and are therefore immune to the practice of "bumping".

This technique involves the manipulation of the pins inside the lock and, as Abloy cylinders do not use pins, this technique is totally ineffective.

Which mechanism? ABLOY® are the world leaders in high security cylinders using the globally recognised and unique rotating disc principle.

Originally invented in Finland in 1907, the basic mechanism has been developed and improved over the years culminating in the two premium systems ABLOY PROTEC and ABLOY EXEC.



Both ABLOY® systems benefit from

- High level of resistance to adverse climatic and environmental conditions
- Large number of different combinations allowing extensive master keying possibilities
- No pins or springs to wear out
- Virtually pick proof

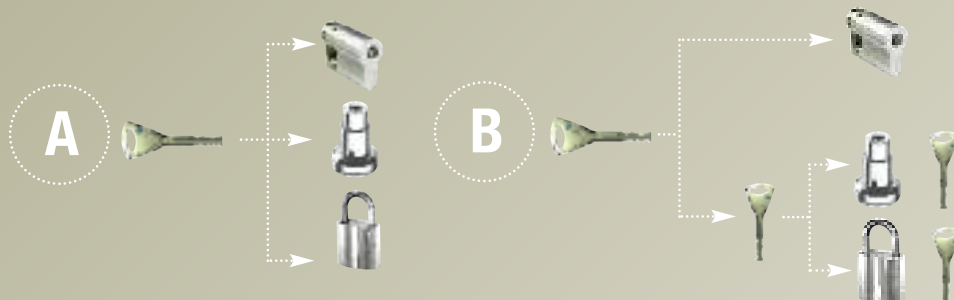
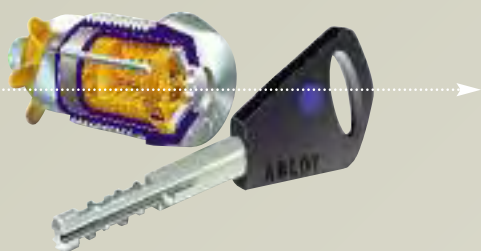
But each has their own unique advantages.

1. ABLOY PROTEC

This two way mechanism incorporates all the latest technology and is fully patented in the UK and Ireland until 2019.

- A totally pickproof mechanism that's impossible to manipulate
- Exceptionally smooth key entry and operation
- Thin, light but incredibly strong key
- Extensive master keying possibilities
- Choice of security levels

Master keying. ABLOY cylinders can be incorporated into a master key system, which is designed to provide convenience, as ideally each key holder will carry one key whilst maintaining the security of the locks. These are two examples of how such a system could operate. Remember, Abloy | UK are able to plan and implement the correct suite for your needs.



2. ABLOY EXEC

The latest one way mechanism particularly suited to padlocks, cam and furniture locks operating with a strict key registration system, ensuring that keys cannot be cut without the correct authorisation.

Recommended as an upgrade to the earlier CLASSIC and HIGH PROFILE systems, EXEC has considerable advantages over its predecessors.

- A smoother more reliable operation
- More combinations and master keying possibilities
- A symmetrical double sided key makes key entry much easier
- A patent on the mechanism and key until 2014 ensures against the unauthorised copying of keys (not valid in Ireland)

A. MASTER KEY SYSTEM

The simplest form is a standard Master Keyed System. All the locks are operated by their own keys, but an overriding Master Key will operate all the locks.

B. GRAND MASTER KEY SYSTEM

For situations where there are several buildings with off site facilities to be secured a Grand Master Keyed suite is the answer. Each lock has its own key, with the locks divided into designated groups. A Master Key operates each group with an overriding Grand Master Key for the whole system.

All euro profile cylinders are supplied with PROTEC mechanisms

(DISKLOCK PRO is available on selective products)

CY303

Single cylinder
Grade 3

CY321

Single cylinder
Grade 3

CY313

Single cylinder
(hardened steel)
Grade 5

CY331

Single cylinder
(hardened steel)
Grade 5

CY304

Double cylinder
Grade 3

***CY322**

Double cylinder
Grade 3

CY314

Double cylinder
(hardened steel
outside) Grade 5

***CY332**

Double cylinder
(hardened steel
outside) Grade 5

CY305

Single cylinder/
thumbturn
Grade 3

***CY323**

Single cylinder/
thumbturn
Grade 3

CY315

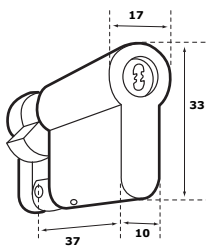
Single cylinder/
thumbturn (hardened
steel) Grade 5

***CY333**

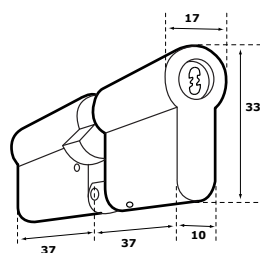
Single cylinder/
thumbturn (hardened
steel) Grade 5



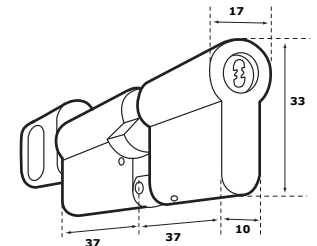
CY303/CY313



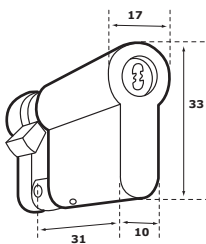
CY304/CY314



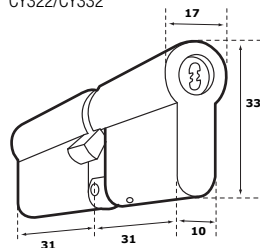
CY305/CY315



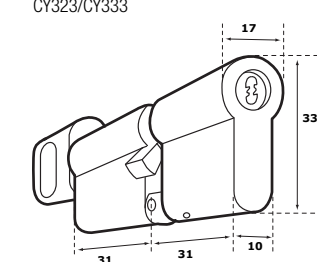
CY321/CY331



CY322/CY332



CY323/CY333



EXTENSION COMPONENTS	CY303 CY304 CY305	CY313 CY314 CY315	CY321 CY322 CY323	CY331 CY332 CY333
----------------------	-------------------------	-------------------------	-------------------------	-------------------------

(5mm increments)
42-62mm
over 62mm

•
••

(5mm increments)
35-55mm

••

(5mm increments)
60-75mm

••

(10mm increments)
80-130mm

••

- Standard
- Special Order

MATERIALS/FINISHES	CY303 CY304 CY305	CY313 CY314 CY315	CY321 CY322 CY323	CY331 CY332 CY333
--------------------	-------------------------	-------------------------	-------------------------	-------------------------

Housing & Plug:
Brass
Steel

•

•

Finish:
Satin Chrome
Bright Chrome
Brass

•

••

•

•

••

•

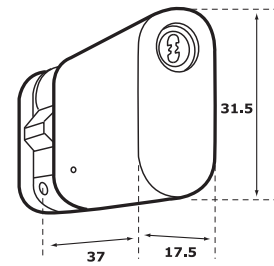
- Standard
- Special Order

*supplied with emergency function as standard

All UK oval cylinders are supplied with PROTEC (DISKLOCK PRO also available if required to maintain existing systems)

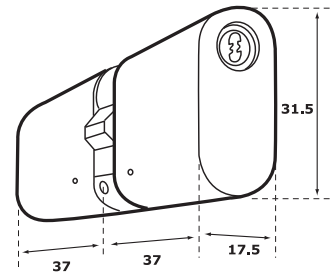
CY310

Single cylinder
Grade 3



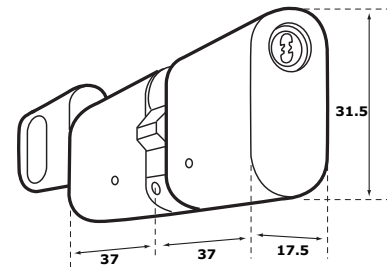
CY311

Double cylinder
Grade 3



CY312

Single cylinder/
thumbturn
Grade 3



MATERIALS/FINISHES	CY310 CY311 CY312
--------------------	-------------------------

Housing & Plug:
Brass •
Steel

Finish:
Satin Chrome •
Bright Chrome ••
Brass •

• Standard
•• Special Order

EXTENSION COMPONENTS	CY310 CY311 CY312
----------------------	-------------------------

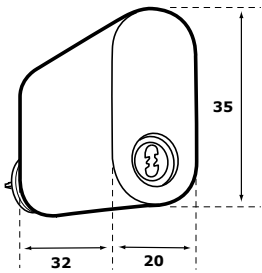
(5mm increments)
42-62mm •
over 62mm ••

• Standard
•• Special Order

Scandinavian oval cylinders are supplied with PROTEC mechanisms (DISKLOCK PRO is available on selective products)

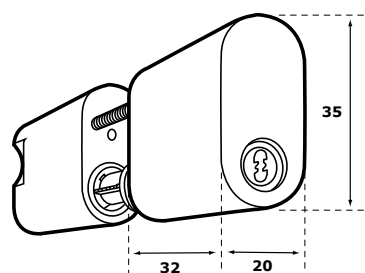
CY201

Single cylinder
Grade 3



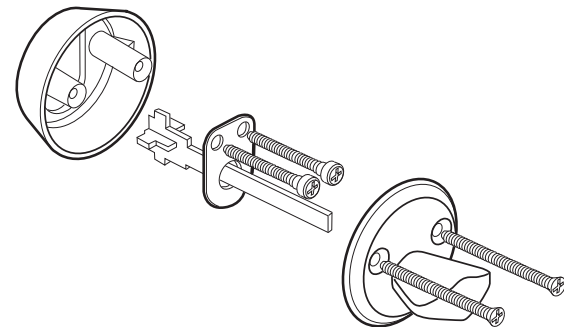
CY202

Double cylinder
Grade 3



6401

Cylinder not included
Single with turn (ASSA).
For use with CY201



6407

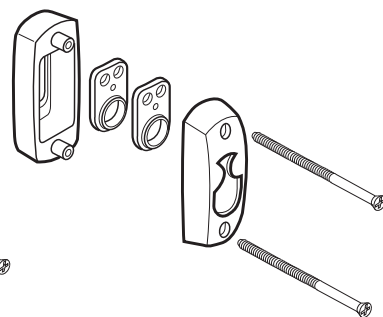
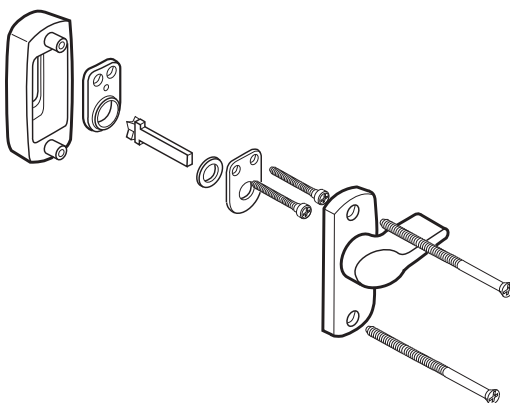
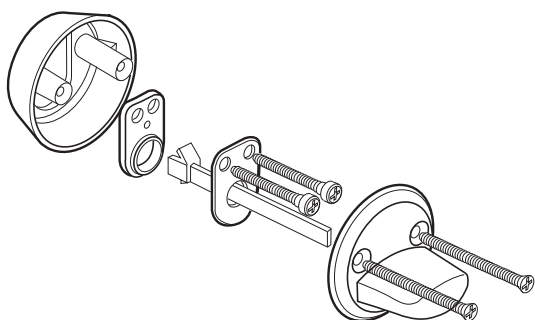
Cylinder not included
Single with turn (ABLOY).
For use with CY201

**6411**

Cylinder not included
Single with turn
(narrow stile).
For use with CY201

**6412**

Cylinder not included
Double (narrow stile).
For use with CY202



	CY201 CY202	6411 6407 6412	6401
MATERIALS/FINISHES			
Housing & plug:			
Brass	••	n/a	n/a
Finish:			
Satin chrome	••	n/a	•
Bright chrome	•	•	n/a
Brass	•	n/a	n/a

- standard
- special order

Use extension
component 6177 with
scandinavian oval
cylinders

N.B. Use these codes only for ordering replacement cylinders.

For cylinders complete with necessary fittings see pages 11, 12 and 13.

CY055

Single cylinder, outside.
Grade 3

For use with automatic deadlocks.

CY056

Single cylinder, inside.
Grade 3

For use with automatic deadlocks.

CY057

Single cylinder, outside.
Grade 3

For use with key operated deadlocks.

CY058

Single cylinder, inside.
Grade 3

For use with key operated deadlocks.

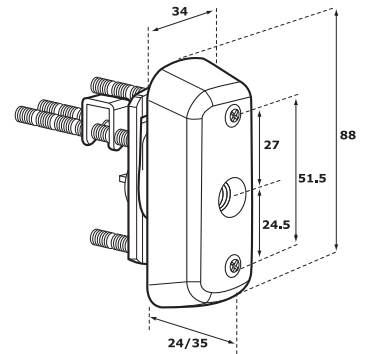
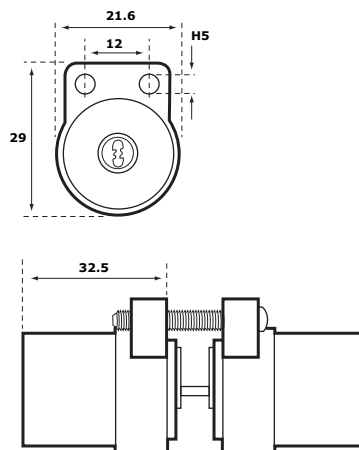
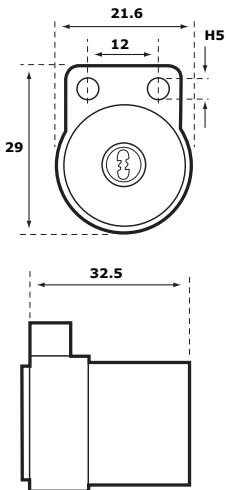
CY059

Double cylinder
Grade 3

For use with automatic or key operated deadlocks

CY068

Inside cylinder
Grade 3
Cylinder included



CY063

Outside cylinder
Grade 5
Cylinder included



CY060

Outside cylinder
Grade 5
Cylinder included



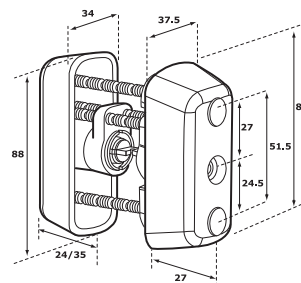
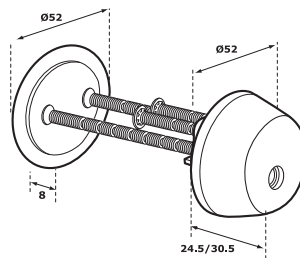
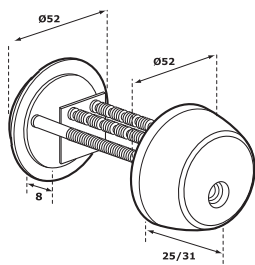
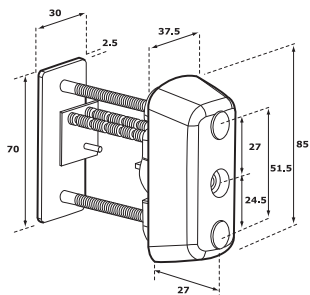
CY016/plate 1

Outside cylinder with
blanking plate
Grade 3
Cylinder included



CY067

Double cylinder
Grade 3
Cylinders included



CY066

Cylinder and thumbturn
Grade 3
Cylinder included

**CY065**

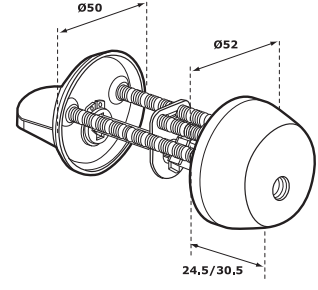
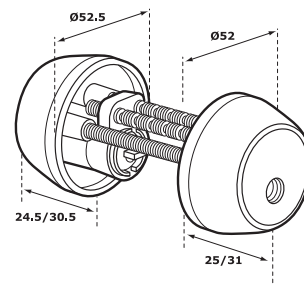
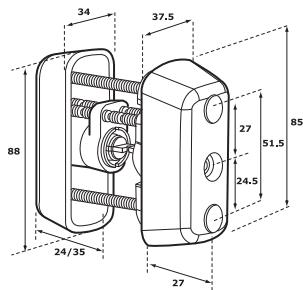
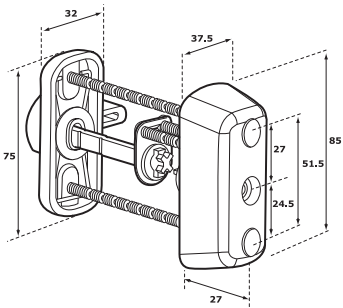
Double cylinder
Grade 5
Cylinders included

**CY062**

Double cylinder
Grade 5
Cylinders included

**CY001**

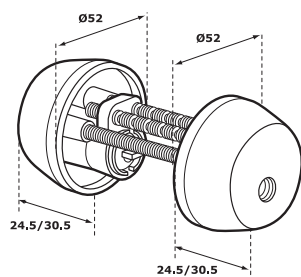
Cylinder and thumbturn
Grade 3
Cylinder included



CY002

Double cylinder
Grade 3

Cylinders included



SCANDINAVIAN OVAL AND FINNISH CYLINDER COMPATIBILITY

LOCKCASE	CY001	CY002	CY016/ plate 1	CY060	CY062	CY063	CY065	CY066	CY067	CY068	CY201 6407
4190/5/7	•	•	•								
4193			•								
4960	•	•	•								
4922								•	•	•	
4921									•		
4956						•	•				
4181				•	•						

MATERIALS & FINISHES	CY001 CY002 CY016/ plate 1	CY066 CY067 CY068	CY060 CY062 CY063 CY065	CY055 CY056 CY057 CY058 CY059
Housing & Plug:				
Brass	•	•		•
Finish:				
Satin chrome	••	••		••
Bright chrome	•	•		•
Brass	••	••		••
Cylinder ring:				
Brass	•	n/a	n/a	n/a
Case hardened steel	••	•	n/a	n/a
Steel (not hardened)		n/a	•	n/a

COMPONENTS MECHANISMS	CY001, CY002, CY016/plate1, CY055, CY056, CY057, CY058, CY059, CY060, CY062, CY063, CY066, CY067, CY068
Extension components:	
Spacer 1	•
Mechanisms:	
EXEC (EX)	•
PROTEC (PT)	•

- standard
- special order

CY053

Standard for ABLOY
Grade 3



**CY405
CY403**

CY405 Grade 3 CY403
Grade 5 (hardened steel)
Replacement Yale type
1109. Includes: Yale
cam, trim ring and
tailpiece



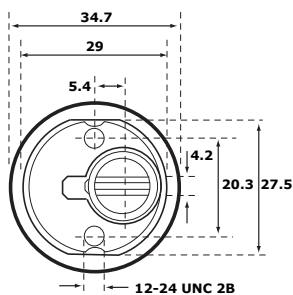
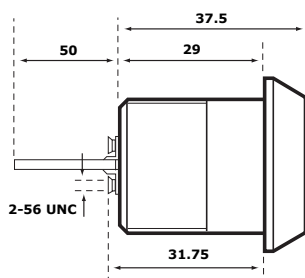
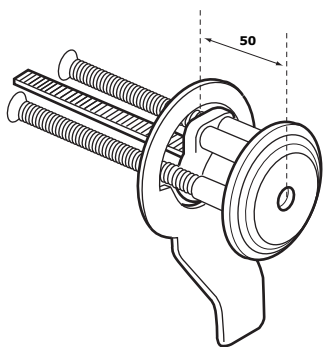
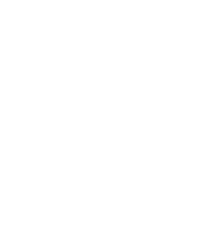
5150

Replacement ABLOY
type
Grade 3

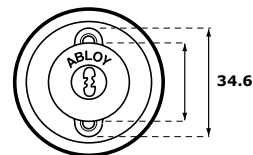
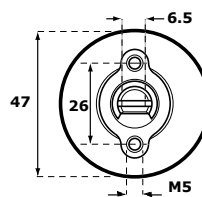


5150/I

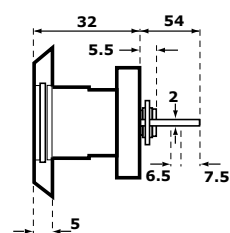
Replacement for
Ingersoll SC71/SC73
Grade 3



5150



5150/I



CYLINDER MECHANISMS	CY404 CY404/2 CY402 CY402/2	CY405 CY403	5150 CY053	5150/I CY054
---------------------	--------------------------------------	----------------	---------------	-----------------

EXEC (EX)			•	
PROTEC (PT)	•	•	•	•

MATERIALS AND FINISHES	CY404 CY404/2	CY402 CY402/2 CY403	CY405	5150 5150/I	CY053	CY054
------------------------	------------------	---------------------------	-------	----------------	-------	-------

Housing & plug:						
Brass	•		•	•	•	
Steel		•				•
Finish:						
Satin chrome	•	•	•	••	••	••
Bright chrome	••	••	••	•	•	•
Brass	••	••	•	•	••	••

• Standard
•• Special order

RIM COMPATIBILITY	CY053	5150
-------------------	-------	------

RI001	•	•
RI002	•	•
RI003	•	•
RI009		•

• Standard
•• Special order

DNK302

Key deposit with collar and dust plate (PROTEC only)

**DNK303**

Key deposit with collar, dust plate and microswitch (PROTEC only)

**CY404/2
CY402/2**

CY404/2 Grade 3
CY402/2 Grade 5
(hardened steel)

Double cylinder

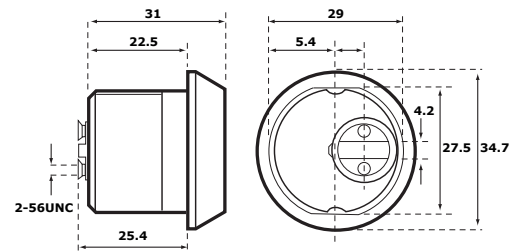
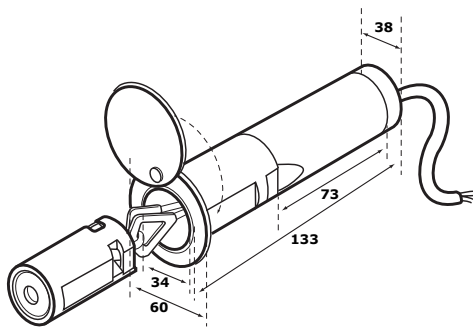
Includes: spring loaded rose (SCP only) and Adams Rite cam

**CY404
CY402**

CY404 Grade 3
CY402 Grade 5
(hardened steel)

Single cylinder

Includes: spring loaded rose (SCP only) and Adams Rite cam

**General**

Key deposits are commonly used for storing master keys or pass keys for public or commercial buildings, such as apartment complexes, office buildings and factories. Utility companies and fire departments may also find key deposits useful for keeping route keys secure.

Features

Enables employees to access designated areas only.

Allows for the convenience of only having to carry one key which can operate thousands of key deposits.

Material

Cylinder housing: Hardened steel

Key deposit housing: Steel

Cylinder plug: Brass

Discs and washers: Tin bronze

Number of discs: 11

Finish

Key deposit housing: Zinc plated

Cylinder housing: Satin chrome